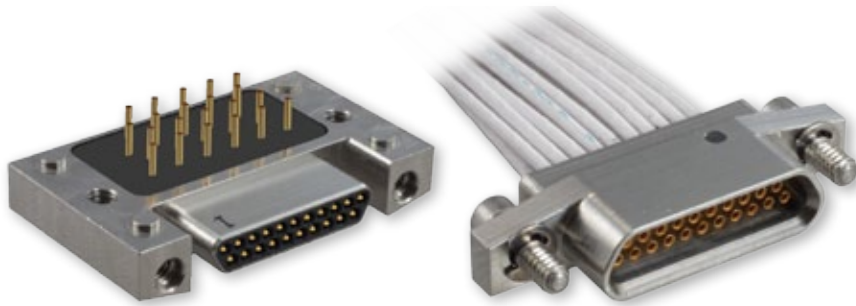


Section J: Well-Master™ 260 High Temperature Micro-D GHTM



+260°C PCB Header

+260°C Cable Connector

- +260°C Operating Temperature
- Angled Mounting Ears to Fit in Small Diameter Instruments
- High Reliability TwistPin Contact System with Special High Temperature Alloy
- .050" Pitch Contact Spacing for Reduced Size
- Solder Cup, Pre-Wired or PCB

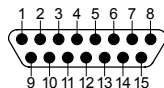
Glenair Well-Master™ 260 Micro-D Withstands Extreme High Temperature

Standard Micro-D connectors are rated for +125°C. Glenair's MWDM Micro-D can withstand +150°C continuous operating temperature and can be upgraded to +200°C if assembled with special high temperature epoxies. But oil, gas and geothermal wells can subject electronic instruments to temperatures as high as +260°C. The GHTM Series Micro-D meets the need for a high density, high performance connector capable of handling this temperature. The GHTM features contacts made from a special alloy that resists softening when exposed to temperatures up to +260°C (500° F). Rugged passivated stainless steel shells and hardware, high temperature liquid crystal polymer (LCP) insulators and special epoxies allow these connectors to survive the most demanding environments. Unique angled mounting ears allow the Well-Master 260 to fit in confined spaces.

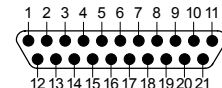
GHTM HIGH TEMPERATURE CONTACT ARRANGEMENTS



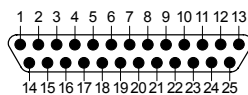
9



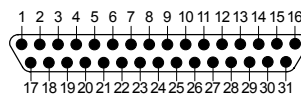
15



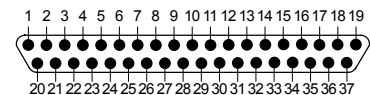
21



25



31



37

Mating face of pin connector. Socket connector contact numbers are reversed.

MATERIALS AND FINISHES

Contacts	Proprietary nickel alloy, gold plated
Insulators	Liquid crystal polymer (LCP)
Shell	Stainless steel, passivated
Mounting Hardware	Stainless Steel
Potting Compound	Epoxy
Insulated Wire	Nickel-coated copper, PTFE insulation per M22759/87 (260°C)

SPECIFICATIONS

Current Rating	3 Amps
Contact Resistance	8 milliohms maximum
Dielectric Withstanding Voltage	600 Vac sea level
Insulation Resistance	5000 megohms minimum
Operating Temperature	-55° C. to +260° C.
Shock	50 g.
Vibration	20 g.



Well-Master™ 260 High Temperature Micro-D GHTM Solder Cup Connectors

GHTM Solder Cup Connectors

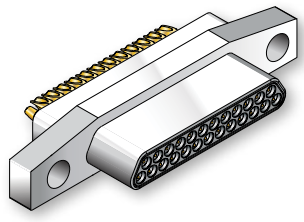


Figure 1
Pin (Plug) with
Thru-Hole Mounting (B)
.096/.088 Dia.
(2.43/2.23)

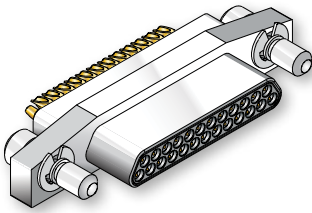


Figure 2
Pin (Plug) with
#2-56 Jackscrews
Slot head (S)
Hex Head (M)

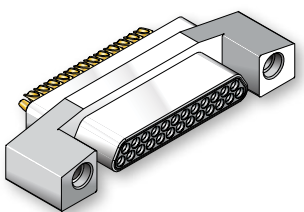


Figure 3
Pin (Plug) with
Integral Jackpost (P)
#2-56

GHTM Well-Master™ 260 solder cup Micro-D connectors withstand +260°C continuous operating temperature. These .050" pitch Micro-D connectors accept #26 to #30 gauge wire with standard contacts and up to size #24 wire with "large bore" contacts. Contacts are factory-installed and potted with epoxy. Pin contacts are gold-plated high performance twistpin type and are recessed into insulator to prevent damage. Special nickel alloy contact material resists softening in high heat. Machined passivated stainless steel shell. Glass-filled high temperature LCP thermoplastic insulators withstand soldering heat. Meets performance requirements of MIL-DTL-83513. Available with 9 to 37 contacts. 3 A., 600 Vac, -55°C to +260°C.

GHTM Pin (Plug) Solder Cup Connectors For #26 AWG Wire

No. of Contacts	Type	Thru-Hole Mounting .092 Dia. Fig. 1	Jackscrews Hex Head #2-56 Figure 2	Jackscrews Slot Head #2-56 Figure 2	Integral Jackpost #2-56 Fig. 3
9	Pin	GHTM-9PSB	GHTM-9PSM	GHTM-9PSS	GHTM-9PSP
15	Pin	GHTM-15PSB	GHTM-15PSM	GHTM-15PSS	GHTM-15PSP
21	Pin	GHTM-21PSB	GHTM-21PSM	GHTM-21PSS	GHTM-21PSP
25	Pin	GHTM-25PSB	GHTM-25PSM	GHTM-25PSS	GHTM-25PSP
31	Pin	GHTM-31PSB	GHTM-31PSM	GHTM-31PSS	GHTM-31PSP
37	Pin	GHTM-37PSB	GHTM-37PSM	GHTM-37PSS	GHTM-37PSP

GHTM Pin (Plug) Solder Cup Connectors For #24 AWG Wire

No. of Contacts	Type	Thru-Hole Mounting .092 Dia. Fig. 1	Jackscrews Hex Head #2-56 Figure 2	Jackscrews Slot Head #2-56 Figure 2	Integral Jackpost #2-56 Fig. 3
9	Pin	GHTM-9PNB	GHTM-9PNM	GHTM-9PNS	GHTM-9PNP
15	Pin	GHTM-15PNB	GHTM-15PNM	GHTM-15PNS	GHTM-15PNP
21	Pin	GHTM-21PNB	GHTM-21PNM	GHTM-21PNS	GHTM-21PNP
25	Pin	GHTM-25PNB	GHTM-25PNM	GHTM-25PNS	GHTM-25PNP
31	Pin	GHTM-31PNB	GHTM-31PNM	GHTM-31PNS	GHTM-31PNP
37	Pin	GHTM-37PNB	GHTM-37PNM	GHTM-37PNS	GHTM-37PNP



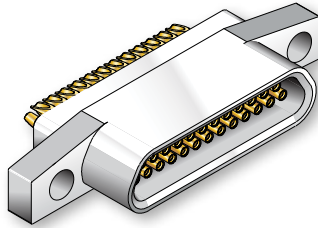


Figure 4
Socket (Receptacle) with
Thru-Hole Mounting (B)
.096/.088 Dia.
(2.43/2.23)

GHTM Socket (Receptacle) Solder Cup Connectors For #26 AWG Wire

No. of Contacts	Type	Thru-Hole Mounting .092 Dia. Fig. 4	Jackscrews Hex Head #2-56 Figure 5	Jackscrews Slot Head #2-56 Figure 5	Integral Jackpost #2-56 Fig. 6
9	Socket	GHTM-9SSB	GHTM-9SSM	GHTM-9SSS	GHTM-9SSP
15	Socket	GHTM-15SSB	GHTM-15SSM	GHTM-15SSS	GHTM-15SSP
21	Socket	GHTM-21SSB	GHTM-21SSM	GHTM-21SSS	GHTM-21SSP
25	Socket	GHTM-25SSB	GHTM-25SSM	GHTM-25SSS	GHTM-25SSP
31	Socket	GHTM-31SSB	GHTM-31SSM	GHTM-31SSS	GHTM-31SSP
37	Socket	GHTM-37SSB	GHTM-37SSM	GHTM-37SSS	GHTM-37SSP

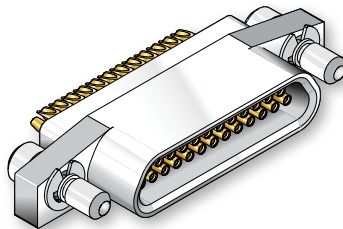


Figure 5
Socket (Receptacle) with
#2-56 Jackscrews
Slot head (S)
Hex Head (M)

GHTM Socket (Receptacle) Solder Cup Connectors For #24 AWG Wire

No. of Contacts	Type	Thru-Hole Mounting .092 Dia. Fig. 4	Jackscrews Hex Head #2-56 Figure 5	Jackscrews Slot Head #2-56 Figure 5	Integral Jackpost #2-56 Fig. 6
9	Socket	GHTM-9STB	GHTM-9STM	GHTM-9STS	GHTM-9STP
15	Socket	GHTM-15STB	GHTM-15STM	GHTM-15STS	GHTM-15STP
21	Socket	GHTM-21STB	GHTM-21STM	GHTM-21STS	GHTM-21STP
25	Socket	GHTM-25STB	GHTM-25STM	GHTM-25STS	GHTM-25STP
31	Socket	GHTM-31STB	GHTM-31STM	GHTM-31STS	GHTM-31STP
37	Socket	GHTM-37STB	GHTM-37STM	GHTM-37STS	GHTM-37STP

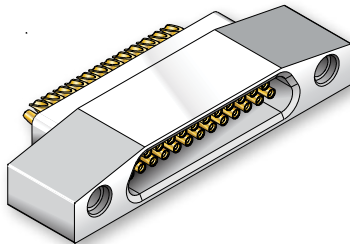
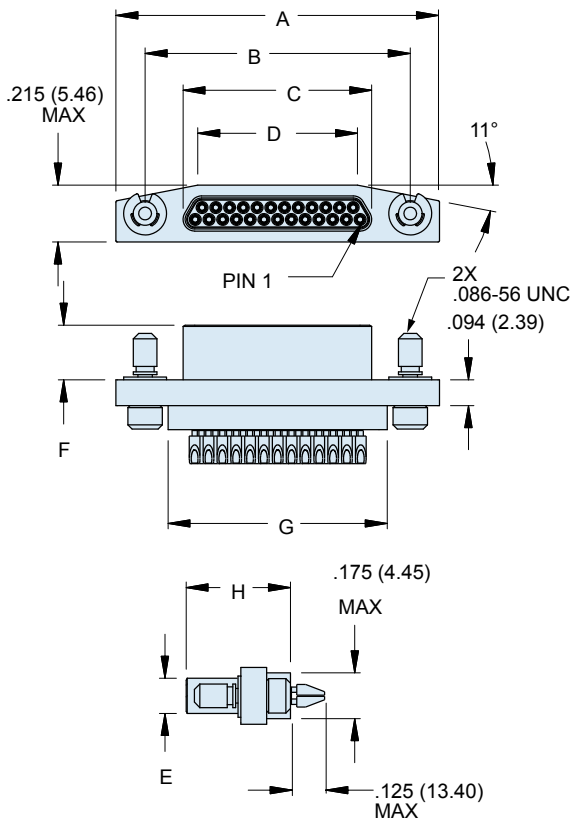


Figure 6
Socket (Receptacle) with
Integral Jackpost (P)
#2-56

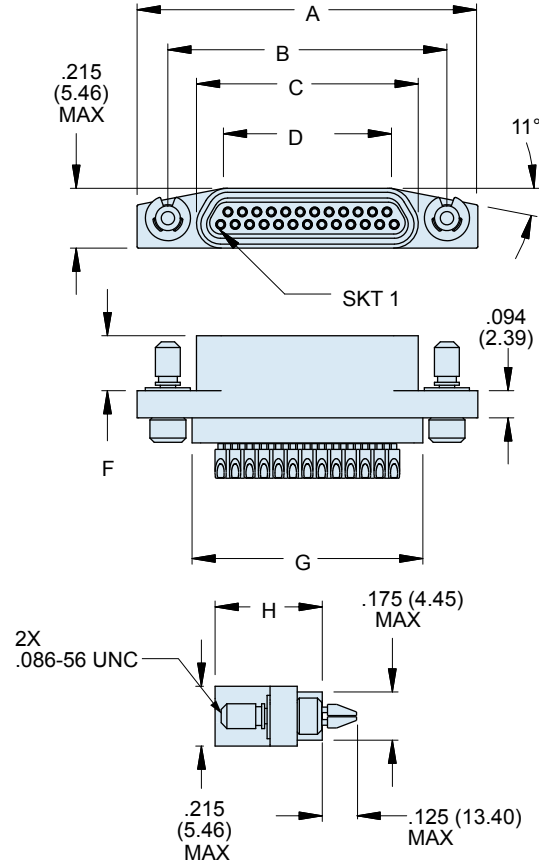


GHTM SOLDER CUP DIMENSIONS: JACKSCREW AND THRU-HOLE VERSIONS

PIN (PLUG) CONNECTOR



SOCKET (RECEPTACLE) CONNECTOR



Notes:

1. Jackscrew version shown. Thru-hole version has (2) .096/.088 (2.43/2.23) diameter mounting holes instead of jackscrews.

Layout	A Max.		B		C Max.		D		E Max.		F		G Max.		H Max.	
	In.	mm.	In. ± .003	mm. ± 0.08	In.	mm.	In.	mm.	In.	mm.	In. ± .003	mm. ± 0.08	In.	mm.	In.	mm.
9P	.785	19.94	.565	14.35	.290	7.37	.181	4.60	.131	3.33	.199	5.05	.405	10.29	.390	9.91
9S	.785	19.94	.565	14.35	.371	9.42	.181	4.60	.215	5.46	.191	4.85	.405	10.29	.377	9.58
15P	.935	23.75	.715	18.16	.440	11.18	.331	8.41	.131	3.33	.199	5.05	.555	14.10	.390	9.91
15S	.935	23.75	.715	18.16	.521	13.23	.331	8.41	.215	5.46	.191	4.85	.555	14.10	.377	9.58
21P	1.085	27.43	.865	21.97	.590	14.99	.481	12.22	.131	3.33	.199	5.05	.705	17.91	.390	9.91
21S	1.085	27.43	.865	21.97	.671	17.04	.481	12.22	.215	5.46	.191	4.85	.705	17.91	.377	9.58
25P	1.185	30.01	.965	24.51	.690	17.53	.581	14.76	.131	3.33	.199	5.05	.805	20.45	.390	9.91
25S	1.185	30.01	.965	24.51	.771	19.58	.581	14.76	.215	5.46	.191	4.85	.805	20.45	.377	9.58
31P	1.335	33.91	1.115	28.32	.840	21.34	.731	18.57	.131	3.33	.199	5.05	.955	24.26	.390	9.91
31S	1.335	33.91	1.115	28.32	.921	23.39	.731	18.57	.215	5.46	.191	4.85	.955	24.26	.377	9.58
37P	1.485	37.72	1.265	32.13	.990	25.15	.881	22.38	.131	3.33	.199	5.05	1.105	28.07	.390	9.91
37S	1.485	37.72	1.265	32.13	1.071	27.20	.881	22.38	.215	5.46	.191	4.85	1.105	28.07	.377	9.58

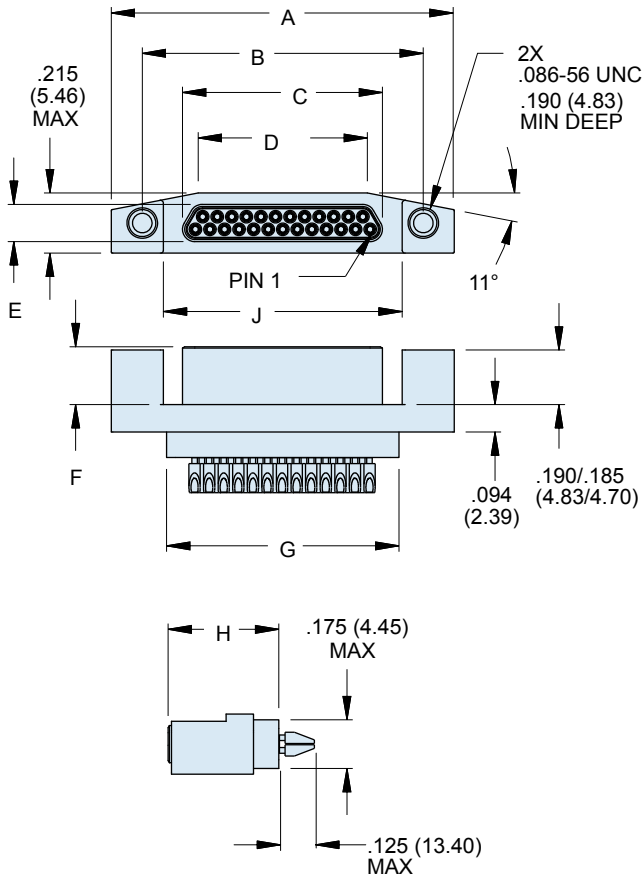
Well-Master™ 260 High Temperature Micro-D GHTM Solder Cup Connectors



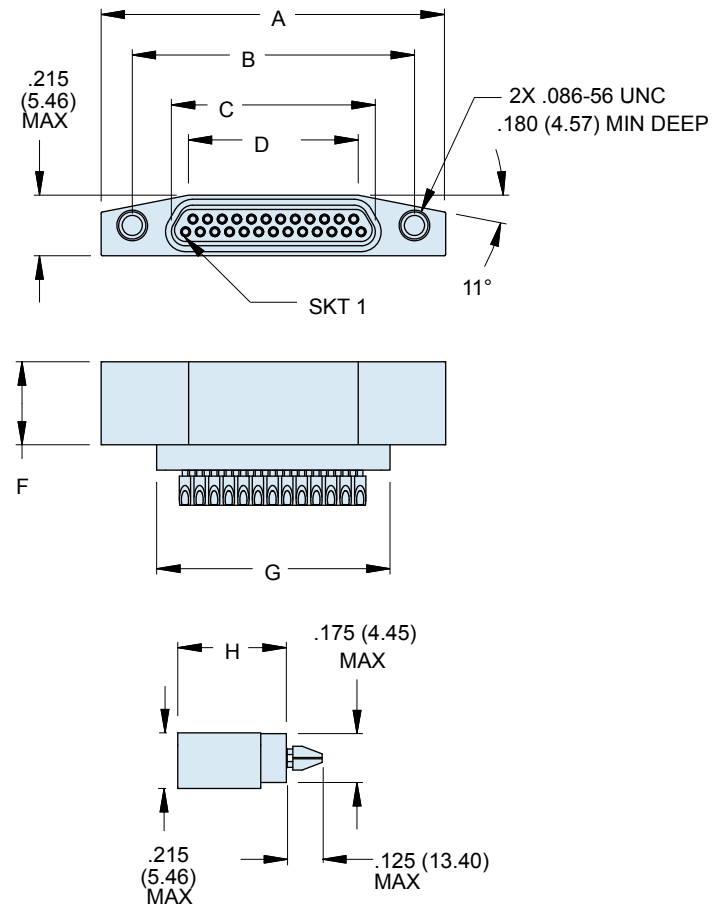
Micro-D™
Well-Master™
260

GHTM SOLDER CUP DIMENSIONS: INTEGRAL JACKPOST VERSION

PIN (PLUG) CONNECTOR



SOCKET (RECEPTACLE) CONNECTOR



Layout	A Max.		B		C Max.		D		E Max.		F		G Max.		H Max.		J	
	In.	mm.	In. ± .003	mm. ± 0.08	In.	mm.	In.	mm.	In.	mm.	In. ± .003	mm. ± 0.08	In.	mm.	In.	mm.	In.	mm.
9P	.785	19.94	.565	14.35	.290	7.37	.181	4.60	.131	3.33	.199	5.05	.405	10.29	.390	9.91	.420	10.67
9S	.785	19.94	.565	14.35	.301	7.65	.181	4.60	.215	5.46	.274	6.96	.405	10.29	.377	9.58	N/A	N/A
15P	.935	23.75	.715	18.16	.440	11.18	.331	8.41	.131	3.33	.199	5.05	.555	14.10	.390	9.91	.570	14.48
15S	.935	23.75	.715	18.16	.451	11.46	.331	8.41	.215	5.46	.274	6.96	.555	14.10	.377	9.58	N/A	N/A
21P	1.085	27.43	.865	21.97	.590	14.99	.481	12.22	.131	3.33	.199	5.05	.705	17.91	.390	9.91	.720	18.29
21S	1.085	27.43	.865	21.97	.601	15.27	.481	12.22	.215	5.46	.274	6.96	.705	17.91	.377	9.58	N/A	N/A
25P	1.185	30.01	.965	24.51	.690	17.53	.581	14.76	.131	3.33	.199	5.05	.805	20.45	.390	9.91	.820	20.83
25S	1.185	30.01	.965	24.51	.701	17.81	.581	14.76	.215	5.46	.274	6.96	.805	20.45	.377	9.58	N/A	N/A
31P	1.335	33.91	1.115	28.32	.840	21.34	.731	18.57	.131	3.33	.199	5.05	.955	24.26	.390	9.91	.970	24.64
31S	1.335	33.91	1.115	28.32	.851	21.62	.731	18.57	.215	5.46	.274	6.96	.955	24.26	.377	9.58	N/A	N/A
37P	1.485	37.72	1.265	32.13	.990	25.15	.881	22.38	.131	3.33	.199	5.05	1.105	28.07	.390	9.91	1.120	28.45
37S	1.485	37.72	1.265	32.13	1.001	25.43	.881	22.38	.215	5.46	.274	6.96	1.105	28.07	.377	9.58	N/A	N/A



Well-Master™ 260 High Temperature Micro-D GHTM Pre-Wired Connectors

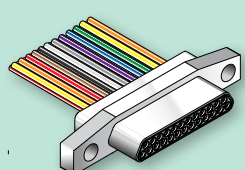
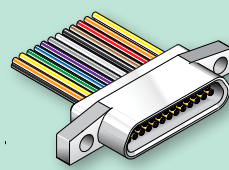
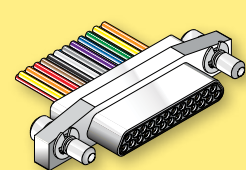
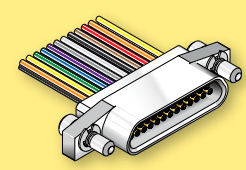
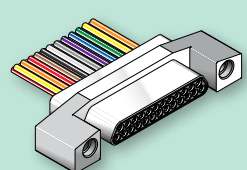
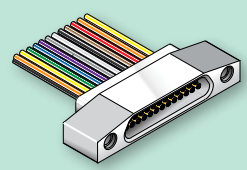
GHTM Pre-Wired Connectors with +260°C Mil Spec PTFE/Polyimide Wire



GHTM Well-Master™ 260 pre-wired Micro-D connectors withstand +260°C continuous operating temperature. These .050" pitch Micro-D connectors are terminated to #24 or #26 AWG insulated wire. Nickel-coated copper wire conforms to M22759/87, PTFE/polyimide insulation. Contacts are crimped to wire, factory-installed and potted with epoxy. Pin contacts are gold-plated high performance twistpin type and are recessed into insulator to prevent damage. Special nickel alloy contact material resists softening in high heat. Machined passivated stainless steel shell. Glass-filled high temperature LCP thermoplastic insulators. 100% hi-pot tested. Meets performance requirements of MIL-DTL-83513. Available with 9 to 37 contacts. 3 A., 600 Vac, -55°C to +260°C.

HOW TO ORDER							
Sample Part Number							
GHTM	-31	S	-4	T	1	-18	B
Series	N f Contacts	Contact Type	Wire Gage (AWG)	Wire Type	Wire Color	Wire Length (Inches)	Mounting Hardware
GHTM Glenair High Temperature Micro	-9	P Pin Contacts	-4 #24	T PTFE/ Polyimide Insulated	1 White	Wire Length In Inches	B Thru-Hole
	-15	S Socket Contacts	-6 #26	Nickel Coated Copper	7 10 Color Repeat		M Hex Head Jackscrew
	-21						S Slot Head Jackscrew
	-25						P Jackpost
-31							
	-37						

GHTM MOUNTING HARDWARE

<p>B Thru-Hole Mounting .096/.088 Dia. (2.43/2.23)</p>  <p>Pin</p>  <p>Socket</p>	<p>M and S #2-56 Jackscrews Slot head (S) Hex Head (M)</p>  <p>Pin</p>  <p>Socket</p>	<p>P Integral Jackpost #2-56</p>  <p>Pin</p>  <p>Socket</p>
--	--	--

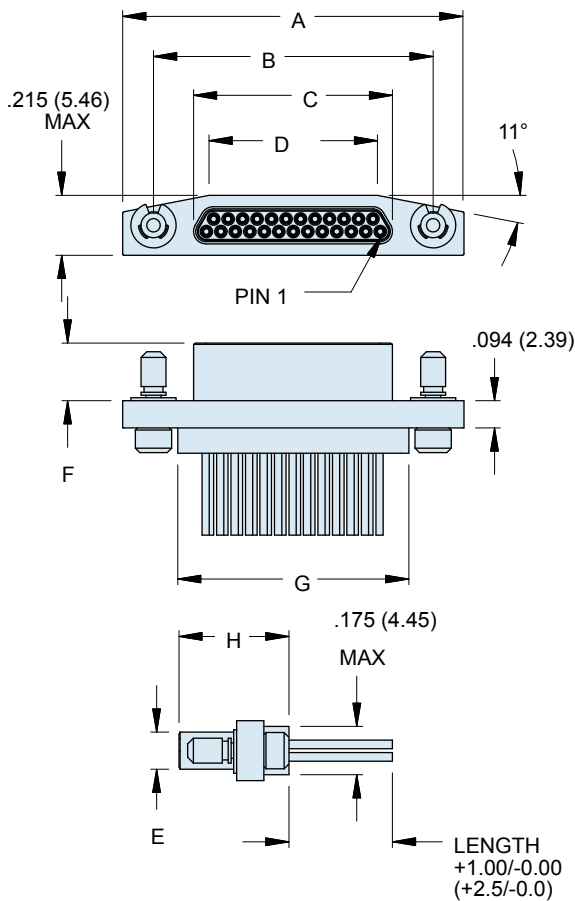
Well-Master™ 260 High Temperature Micro-D GHTM Pre-Wired Connectors



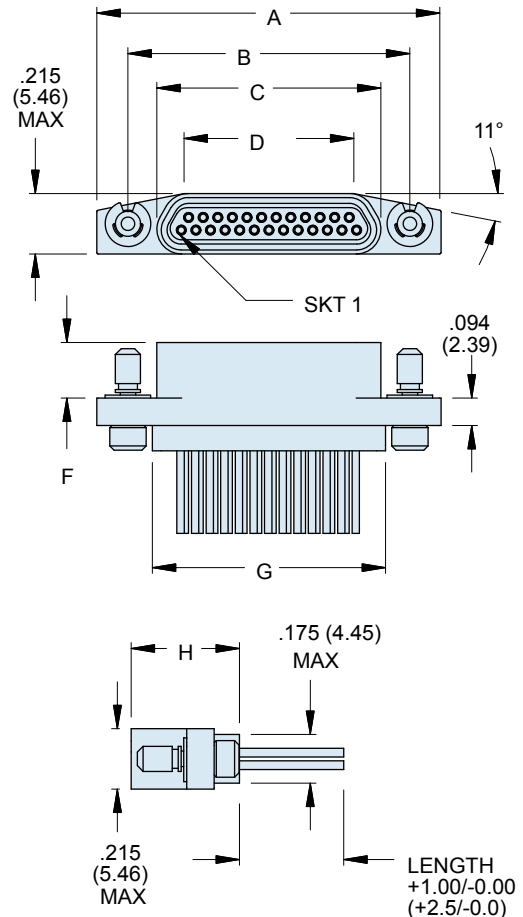
Micro-D™
Well-Master™
260

GHTM PRE-WIRED CONNECTOR DIMENSIONS: THRU-HOLE AND JACKSCREW VERSIONS

PIN (PLUG) CONNECTOR



SOCKET (RECEPTACLE) CONNECTOR



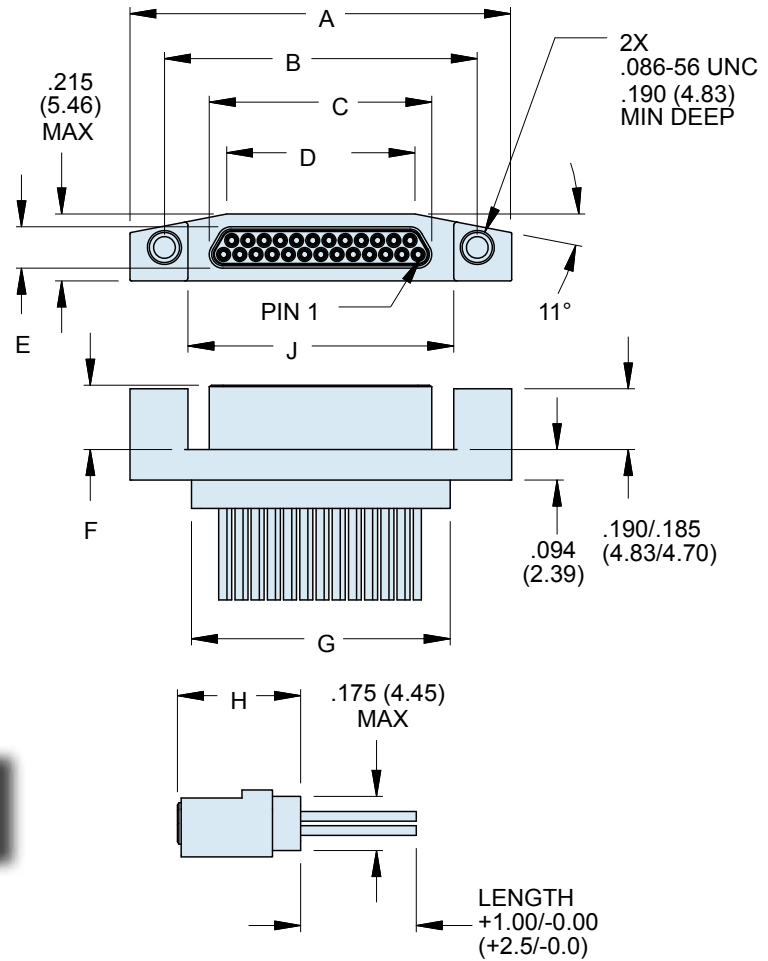
Layout	A Max.		B		C Max.		D		E Max.		F		G Max.		H Max.	
	In.	mm.	In. ± .003	mm. ± 0.08	In.	mm.	In.	mm.	In.	mm.	In. ± .003	mm. ± 0.08	In.	mm.	In.	mm.
9P	.785	19.94	.565	14.35	.290	7.37	.181	4.60	.131	3.33	.199	5.05	.405	10.29	.390	9.91
9S	.785	19.94	.565	14.35	.371	9.42	.181	4.60	.215	5.46	.191	4.85	.405	10.29	.377	9.58
15P	.935	23.75	.715	18.16	.440	11.18	.331	8.41	.131	3.33	.199	5.05	.555	14.10	.390	9.91
15S	.935	23.75	.715	18.16	.521	13.23	.331	8.41	.215	5.46	.191	4.85	.555	14.10	.377	9.58
21P	1.085	27.43	.865	21.97	.590	14.99	.481	12.22	.131	3.33	.199	5.05	.705	17.91	.390	9.91
21S	1.085	27.43	.865	21.97	.671	17.04	.481	12.22	.215	5.46	.191	4.85	.705	17.91	.377	9.58
25P	1.185	30.01	.965	24.51	.690	17.53	.581	14.76	.131	3.33	.199	5.05	.805	20.45	.390	9.91
25S	1.185	30.01	.965	24.51	.771	19.58	.581	14.76	.215	5.46	.191	4.85	.805	20.45	.377	9.58
31P	1.335	33.91	1.115	28.32	.840	21.34	.731	18.57	.131	3.33	.199	5.05	.955	24.26	.390	9.91
31S	1.335	33.91	1.115	28.32	.921	23.39	.731	18.57	.215	5.46	.191	4.85	.955	24.26	.377	9.58
37P	1.485	37.72	1.265	32.13	.990	25.15	.881	22.38	.131	3.33	.199	5.05	1.105	28.07	.390	9.91
37S	1.485	37.72	1.265	32.13	1.071	27.20	.881	22.38	.215	5.46	.191	4.85	1.105	28.07	.377	9.58



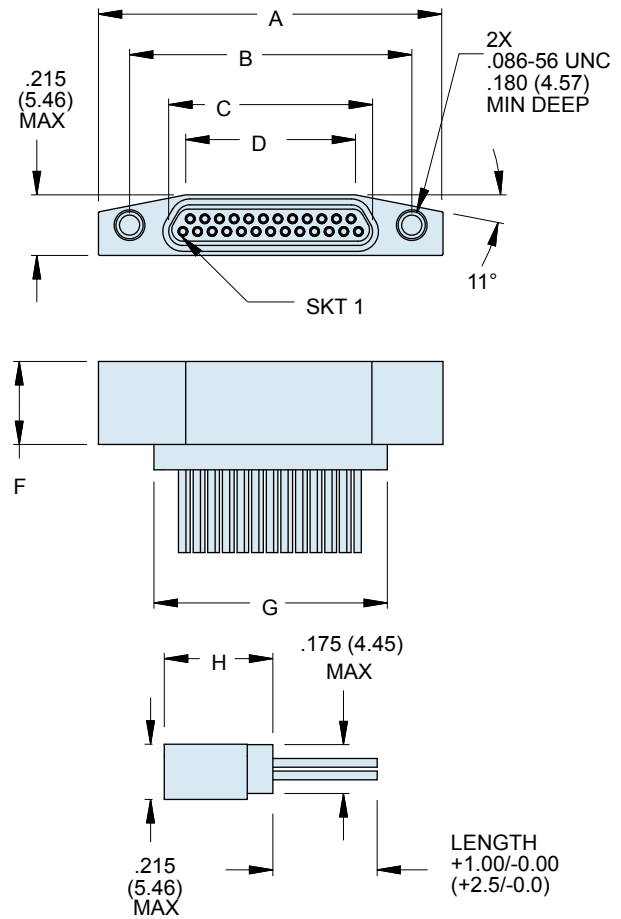
Well-Master™ 260 High Temperature Micro-D GHTM Pre-Wired Connectors

GHTM PRE-WIRED CONNECTOR DIMENSIONS: INTEGRAL JACKPOST VERSION

PIN (PLUG) CONNECTOR



SOCKET (RECEPTACLE) CONNECTOR



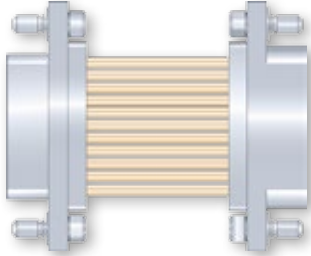
Layout	A Max.		B		C Max.		D		E Max.		F		G Max.		H Max.		J	
	In.	mm.	In.	mm.	In.	mm.	In.	mm.	In.	mm.	In.	mm.	In.	mm.	In.	mm.	In.	mm.
9P	.785	19.94	.565	14.35	.290	7.37	.181	4.60	.131	3.33	.199	5.05	.405	10.29	.390	9.91	.420	10.67
9S	.785	19.94	.565	14.35	.301	7.65	.181	4.60	.215	5.46	.274	6.96	.405	10.29	.377	9.58	N/A	N/A
15P	.935	23.75	.715	18.16	.440	11.18	.331	8.41	.131	3.33	.199	5.05	.555	14.10	.390	9.91	.570	14.48
15S	.935	23.75	.715	18.16	.451	11.46	.331	8.41	.215	5.46	.274	6.96	.555	14.10	.377	9.58	N/A	N/A
21P	1.085	27.43	.865	21.97	.590	14.99	.481	12.22	.131	3.33	.199	5.05	.705	17.91	.390	9.91	.720	18.29
21S	1.085	27.43	.865	21.97	.601	15.27	.481	12.22	.215	5.46	.274	6.96	.705	17.91	.377	9.58	N/A	N/A
25P	1.185	30.01	.965	24.51	.690	17.53	.581	14.76	.131	3.33	.199	5.05	.805	20.45	.390	9.91	.820	20.83
25S	1.185	30.01	.965	24.51	.701	17.81	.581	14.76	.215	5.46	.274	6.96	.805	20.45	.377	9.58	N/A	N/A
31P	1.335	33.91	1.115	28.32	.840	21.34	.731	18.57	.131	3.33	.199	5.05	.955	24.26	.390	9.91	.970	24.64
31S	1.335	33.91	1.115	28.32	.851	21.62	.731	18.57	.215	5.46	.274	6.96	.955	24.26	.377	9.58	N/A	N/A
37P	1.485	37.72	1.265	32.13	.990	25.15	.881	22.38	.131	3.33	.199	5.05	1.105	28.07	.390	9.91	1.120	28.45
37S	1.485	37.72	1.265	32.13	1.001	25.43	.881	22.38	.215	5.46	.274	6.96	1.105	28.07	.377	9.58	N/A	N/A

Well-Master™ 260
High Temperature Micro-D GHTM
Back-To-Back Cable Assemblies



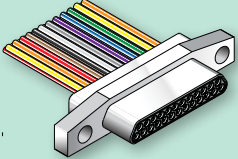
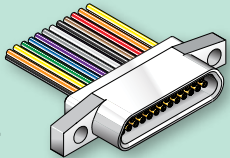
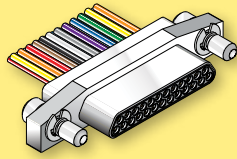
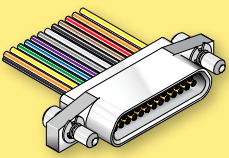
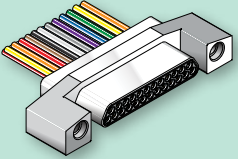
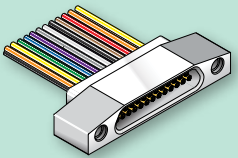
Micro-D
 Well-Master™
 260

GHTM Back-To-Back Cable Assemblies



GHTM Well-Master™ 260 back-to-back Micro-D cable assemblies withstand +260°C continuous operating temperature. These .050" pitch Micro-D connectors are terminated to #24 or #26 AWG insulated wire. Nickel-coated copper wire conforms to M22759/87, PTFE/ polyimide insulation. Contacts are crimped to wire, factory-installed and potted with epoxy. Pin contacts are gold-plated high performance twistpin type and are recessed into insulator to prevent damage. Special nickel alloy contact material resists softening in high heat. Machined passivated stainless steel shell. Glass-filled high temperature LCP thermoplastic insulators. Meets performance requirements of MIL-DTL-83513. Available with 9 to 37 contacts. 3 A., 600 Vac, -55°C to +260°C.

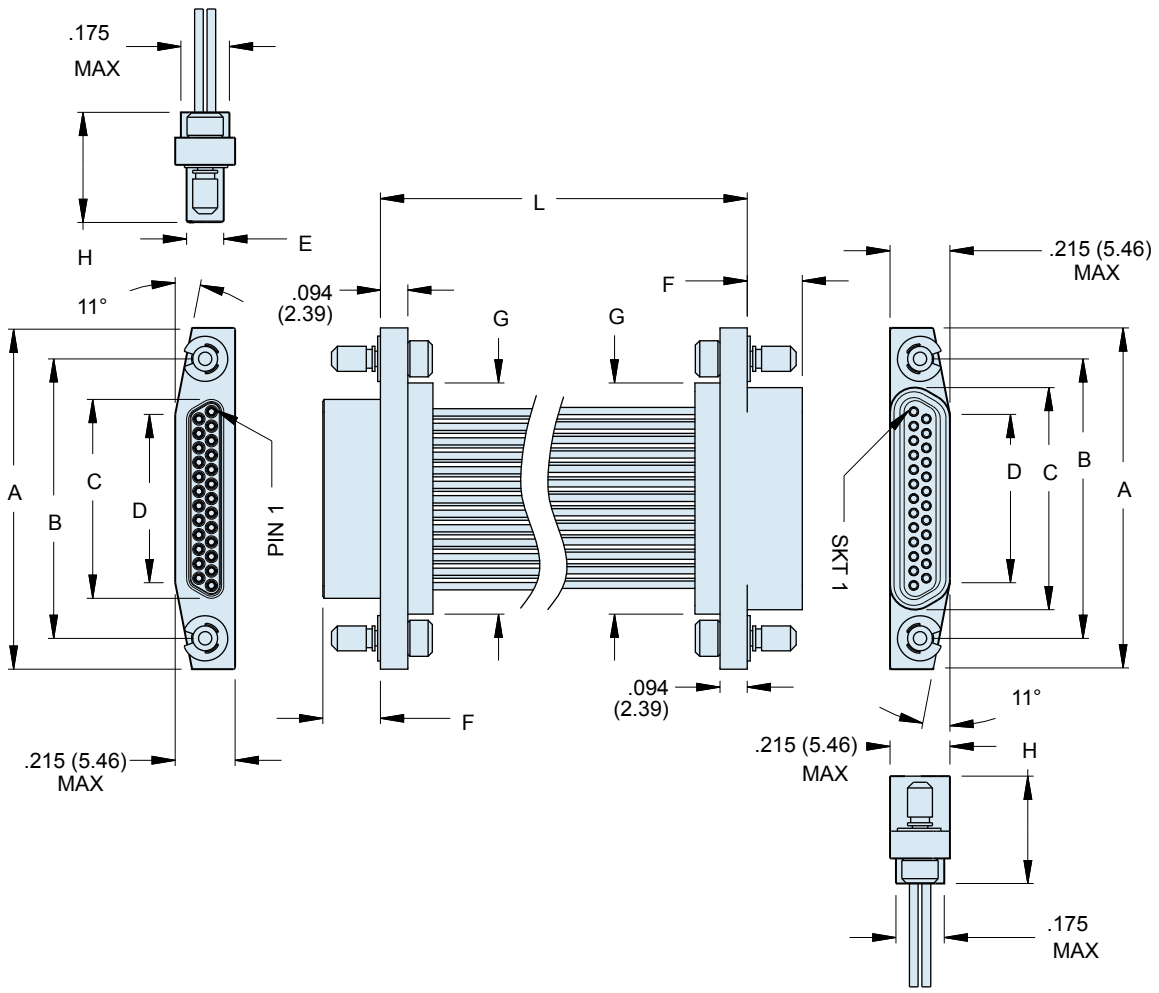
HOW TO ORDER							
Sample Part Number							
GHTM	-31	GS	-6	T	7	-18	B
Series	No. of Contacts	Contact Type	Wire Gage (AWG)	Wire Type	Wire Color	Wire Length (Inches)	Mounting Hardware
GHTM Glenair High Temperature Micro	-9	GP Pin Connector Both Ends	-4 #24	T PTFE/ Polyimide Insulated Nickel Coated Copper	1 White	Wire Length In Inches	B Thru-Hole
	-15	GS Socket Connector Both Ends	-6 #26		7 10 Color Repeat		M Hex Head Jackscrew
	-21			CS Pin Connector to Socket Connector	slot head jackscrew		
	-25						P Jackpost
-31							
-37							

GHTM MOUNTING HARDWARE		
<p>B Thru-Hole Mounting .096/.088 Dia. (2.43/2.23)</p>  <p>Pin</p>  <p>Socket</p>	<p>M and S #2-56 Jackscrews Slot head (S) Hex Head (M)</p>  <p>Pin</p>  <p>Socket</p>	<p>P Integral Jackpost #2-56</p>  <p>Pin</p>  <p>Socket</p>



Well-Master™ 260 High Temperature Micro-D GHTM Back-To-Back Cable Assemblies

GHTM BACK-TO-BACK DIMENSIONS: THRU-HOLE AND JACKSCREW VERSIONS



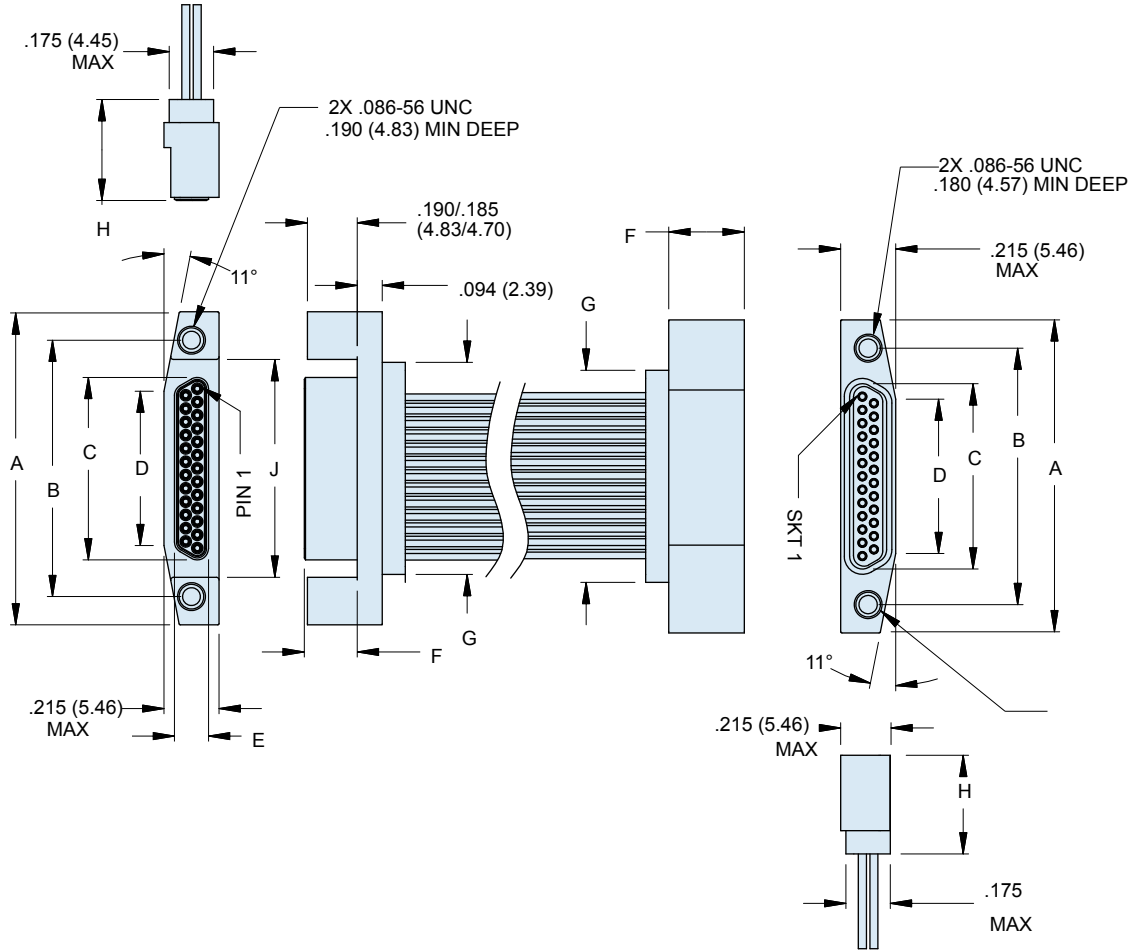
Layout	A Max.		B		C Max.		D		E Max.		F		G Max.		H Max.	
	In.	mm.	In. ± .003	mm. ± 0.08	In.	mm.	In.	mm.	In.	mm.	In. ± .003	mm. ± 0.08	In.	mm.	In.	mm.
9P	.785	19.94	.565	14.35	.290	7.37	.181	4.60	.131	3.33	.199	5.05	.405	10.29	.390	9.91
9S	.785	19.94	.565	14.35	.371	9.42	.181	4.60	.215	5.46	.191	4.85	.405	10.29	.377	9.58
15P	.935	23.75	.715	18.16	.440	11.18	.331	8.41	.131	3.33	.199	5.05	.555	14.10	.390	9.91
15S	.935	23.75	.715	18.16	.521	13.23	.331	8.41	.215	5.46	.191	4.85	.555	14.10	.377	9.58
21P	1.085	27.43	.865	21.97	.590	14.99	.481	12.22	.131	3.33	.199	5.05	.705	17.91	.390	9.91
21S	1.085	27.43	.865	21.97	.671	17.04	.481	12.22	.215	5.46	.191	4.85	.705	17.91	.377	9.58
25P	1.185	30.01	.965	24.51	.690	17.53	.581	14.76	.131	3.33	.199	5.05	.805	20.45	.390	9.91
25S	1.185	30.01	.965	24.51	.771	19.58	.581	14.76	.215	5.46	.191	4.85	.805	20.45	.377	9.58
31P	1.335	33.91	1.115	28.32	.840	21.34	.731	18.57	.131	3.33	.199	5.05	.955	24.26	.390	9.91
31S	1.335	33.91	1.115	28.32	.921	23.39	.731	18.57	.215	5.46	.191	4.85	.955	24.26	.377	9.58
37P	1.485	37.72	1.265	32.13	.990	25.15	.881	22.38	.131	3.33	.199	5.05	1.105	28.07	.390	9.91
37S	1.485	37.72	1.265	32.13	1.071	27.20	.881	22.38	.215	5.46	.191	4.85	1.105	28.07	.377	9.58

Well-Master™ 260 High Temperature Micro-D GHTM Back-To-Back Cable Assemblies



Micro-D™
Well-Master™
260

GHTM BACK-TO-BACK DIMENSIONS: INTEGRAL JACKPOST VERSIONS



J

Layout	A Max.		B		C Max.		D		E Max.		F		G Max.		H Max.		J	
	In.	mm.	In. $\pm .003$	mm. ± 0.08	In.	mm.	In.	mm.	In.	mm.	In. $\pm .003$	mm. ± 0.08	In.	mm.	In.	mm.	In.	mm.
9P	.785	19.94	.565	14.35	.290	7.37	.181	4.60	.131	3.33	.199	5.05	.405	10.29	.390	9.91	.420	10.67
9S	.785	19.94	.565	14.35	.301	7.65	.181	4.60	.215	5.46	.274	6.96	.405	10.29	.377	9.58	N/A	N/A
15P	.935	23.75	.715	18.16	.440	11.18	.331	8.41	.131	3.33	.199	5.05	.555	14.10	.390	9.91	.570	14.48
15S	.935	23.75	.715	18.16	.451	11.46	.331	8.41	.215	5.46	.274	6.96	.555	14.10	.377	9.58	N/A	N/A
21P	1.085	27.43	.865	21.97	.590	14.99	.481	12.22	.131	3.33	.199	5.05	.705	17.91	.390	9.91	.720	18.29
21S	1.085	27.43	.865	21.97	.601	15.27	.481	12.22	.215	5.46	.274	6.96	.705	17.91	.377	9.58	N/A	N/A
25P	1.185	30.01	.965	24.51	.690	17.53	.581	14.76	.131	3.33	.199	5.05	.805	20.45	.390	9.91	.820	20.83
25S	1.185	30.01	.965	24.51	.701	17.81	.581	14.76	.215	5.46	.274	6.96	.805	20.45	.377	9.58	N/A	N/A
31P	1.335	33.91	1.115	28.32	.840	21.34	.731	18.57	.131	3.33	.199	5.05	.955	24.26	.390	9.91	.970	24.64
31S	1.335	33.91	1.115	28.32	.851	21.62	.731	18.57	.215	5.46	.274	6.96	.955	24.26	.377	9.58	N/A	N/A
37P	1.485	37.72	1.265	32.13	.990	25.15	.881	22.38	.131	3.33	.199	5.05	1.105	28.07	.390	9.91	1.120	28.45
37S	1.485	37.72	1.265	32.13	1.001	25.43	.881	22.38	.215	5.46	.274	6.96	1.105	28.07	.377	9.58	N/A	N/A

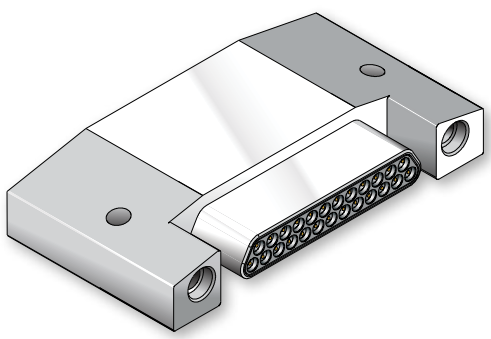


Well-Master™ 260 High Temperature Micro-D GHTM Right Angle Printed Circuit Board Headers

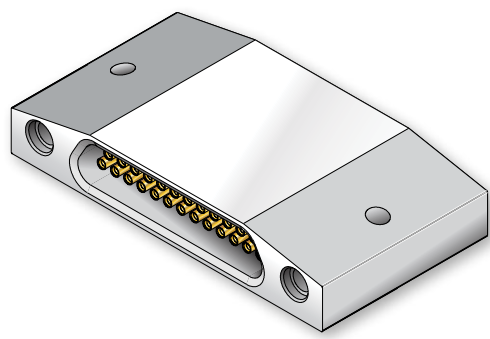
GHTM Right Angle Printed Circuit Board Headers



GHTM Well-Master™ 260 right angle PCB Micro-D connectors withstand +260°C continuous operating temperature. These .050" pitch Micro-D connectors have .020 inch diameter (0.51mm) gold-plated PC terminals. Terminal spacing is .100 inch by .075 inch (2.54 by 1.91mm). Connectors are potted with special high temperature epoxy. Pin contacts are gold-plated high performance twistpin type and are recessed into insulator to prevent damage. Special nickel alloy contact material resists softening in high heat. Machined passivated stainless steel shell. Glass-filled high temperature LCP thermoplastic insulators and organizer withstand soldering heat. Meets performance requirements of MIL-DTL-83513. Available with 9 to 37 contacts. 3 A., 600 Vac, -55°C to +260°C.



PIN (PLUG) CONNECTOR



SOCKET (RECEPTACLE) CONNECTOR

J

GHTM Right Angle PCB Connector Ordering Information

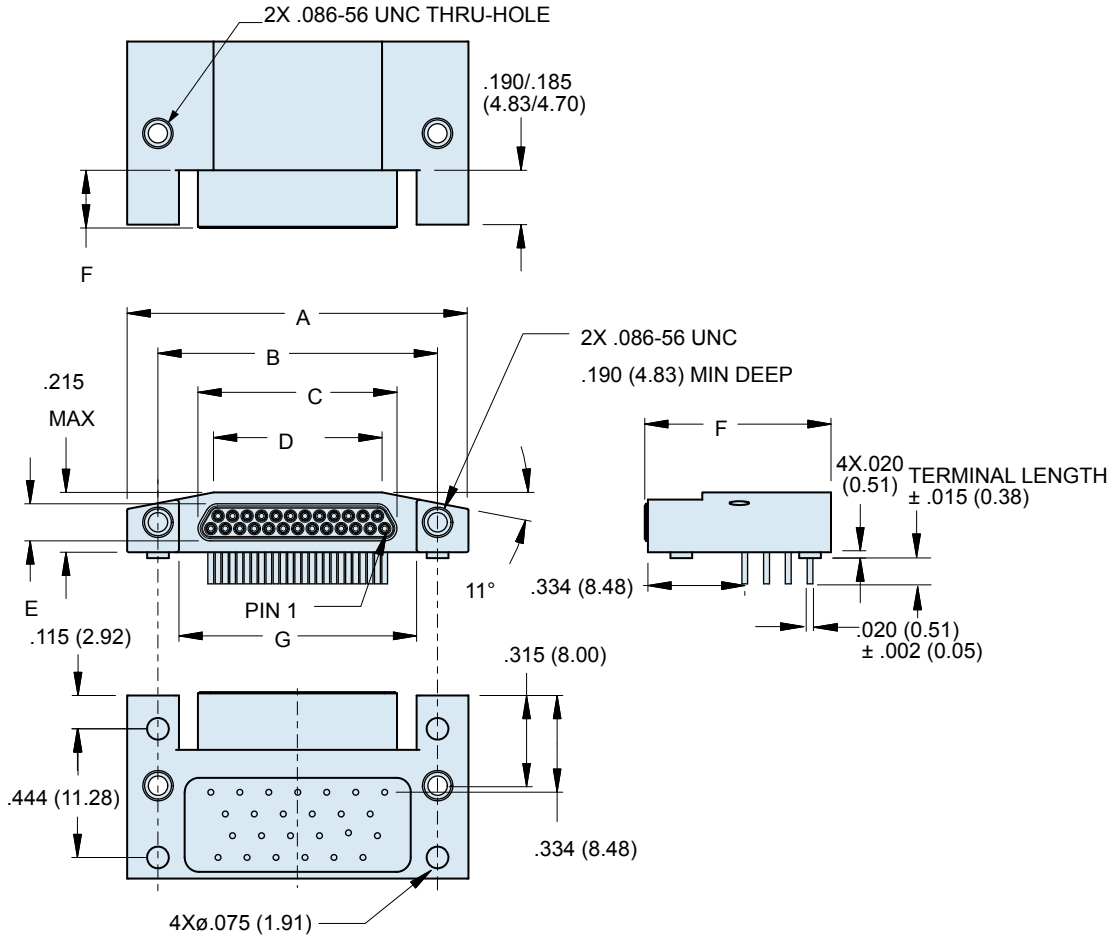
Layout	.080 Inch (2.03mm) PC Terminal Length	.125 Inch (3.18 mm) PC Terminal Length	.150 Inch (3.81 mm) PC Terminal Length	.172 Inch (4.37 mm) PC Terminal Length	.190 Inch (4.83 mm) PC Terminal Length	.205 Inch (2.03mm) PC Terminal Length
9P	GHTM-9PRAP-.080	GHTM-9PRAP-.110	GHTM-9PRAP-.150	GHTM-9PRAP-.172	GHTM-9PRAP-.190	GHTM-9PRAP-.205
9S	GHTM-9SRAP-.080	GHTM-9SRAP-.110	GHTM-9SRAP-.150	GHTM-9SRAP-.172	GHTM-9SRAP-.190	GHTM-9SRAP-.205
15P	GHTM-15PRAP-.080	GHTM-15PRAP-.110	GHTM-15PRAP-.150	GHTM-15PRAP-.172	GHTM-15PRAP-.190	GHTM-15PRAP-.205
15S	GHTM-15SRAP-.080	GHTM-15SRAP-.110	GHTM-15SRAP-.150	GHTM-15SRAP-.172	GHTM-15SRAP-.190	GHTM-15SRAP-.205
21P	GHTM-21PRAP-.080	GHTM-21PRAP-.110	GHTM-21PRAP-.150	GHTM-21PRAP-.172	GHTM-21PRAP-.190	GHTM-21PRAP-.205
21S	GHTM-21SRAP-.080	GHTM-21SRAP-.110	GHTM-21SRAP-.150	GHTM-21PRAP-.172	GHTM-21SRAP-.190	GHTM-21SRAP-.205
25P	GHTM-25PRAP-.080	GHTM-25PRAP-.110	GHTM-25PRAP-.150	GHTM-25PRAP-.172	GHTM-25PRAP-.190	GHTM-25PRAP-.205
25S	GHTM-25SRAP-.080	GHTM-25SRAP-.110	GHTM-25SRAP-.150	GHTM-25SRAP-.172	GHTM-25SRAP-.190	GHTM-25SRAP-.205
31P	GHTM-31PRAP-.080	GHTM-31PRAP-.110	GHTM-31PRAP-.150	GHTM-31PRAP-.172	GHTM-31PRAP-.190	GHTM-31PRAP-.205
31S	GHTM-31SRAP-.080	GHTM-31SRAP-.110	GHTM-31SRAP-.150	GHTM-31SRAP-.172	GHTM-31SRAP-.190	GHTM-31SRAP-.205
37P	GHTM-37PRAP-.080	GHTM-37PRAP-.110	GHTM-37PRAP-.150	GHTM-37PRAP-.172	GHTM-37PRAP-.190	GHTM-37PRAP-.205
37S	GHTM-37SRAP-.080	GHTM-37SRAP-.110	GHTM-37SRAP-.150	GHTM-37SRAP-.172	GHTM-37SRAP-.190	GHTM-37SRAP-.205

Well-Master™ 260
High Temperature Micro-D GHTM
Right Angle Printed Circuit Board Headers



Micro-D™
 Well-Master™
 260

GHTM RIGHT ANGLE PCB DIMENSIONS: PIN (PLUG) CONNECTOR

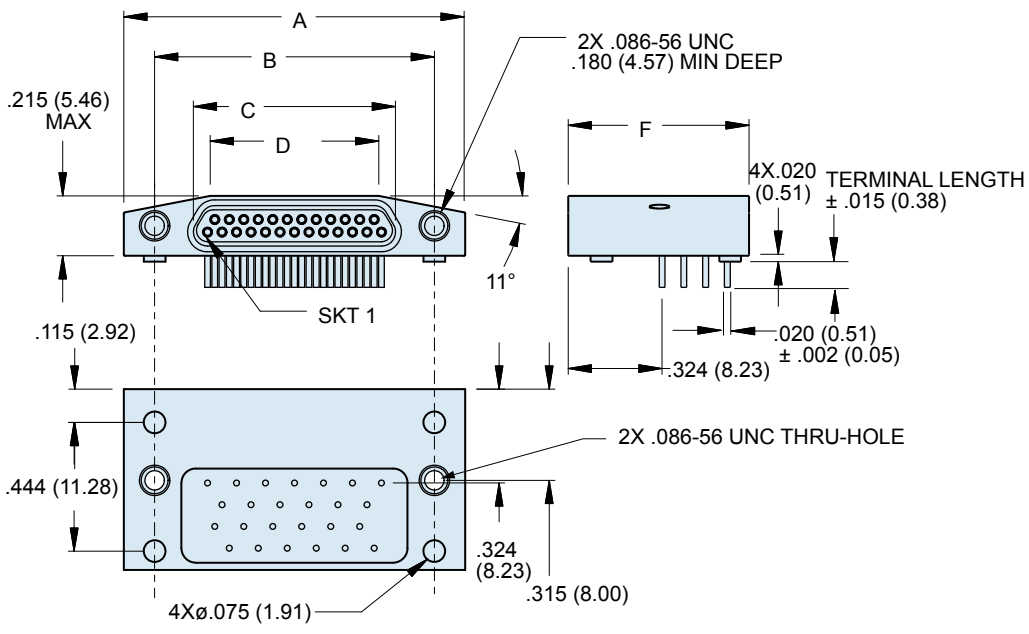


Layout	A Max.		B		C Max.		D		E Max.		F Max.		H Max.		G	
	In.	mm.	In. ± .003	mm. ± 0.08	In.	mm.	In.	mm.	In.	mm.	In.	mm.	In.	mm.	In.	mm.
9P	.785	19.94	.565	14.35	.290	7.37	.181	4.60	.131	3.33	.648	16.46	.390	9.91	.420	10.67
9S	.785	19.94	.565	14.35	.301	7.65	.181	4.60	.142	3.61	.629	15.98	.377	9.58	N/A	N/A
15P	.935	23.75	.715	18.16	.440	11.18	.331	8.41	.131	3.33	.648	16.46	.390	9.91	.570	14.48
15S	.935	23.75	.715	18.16	.451	11.46	.331	8.41	.142	3.61	.629	15.98	.377	9.58	N/A	N/A
21P	1.085	27.43	.865	21.97	.590	14.99	.481	12.22	.131	3.33	.648	16.46	.390	9.91	.720	18.29
21S	1.085	27.43	.865	21.97	.601	15.27	.481	12.22	.142	3.61	.629	15.98	.377	9.58	N/A	N/A
25P	1.185	30.01	.965	24.51	.690	17.53	.581	14.76	.131	3.33	.648	16.46	.390	9.91	.820	20.83
25S	1.185	30.01	.965	24.51	.701	17.81	.581	14.76	.142	3.61	.629	15.98	.377	9.58	N/A	N/A
31P	1.335	33.91	1.115	28.32	.840	21.34	.731	18.57	.131	3.33	.648	16.46	.390	9.91	.970	24.64
31S	1.335	33.91	1.115	28.32	.851	21.62	.731	18.57	.142	3.61	.629	15.98	.377	9.58	N/A	N/A
37P	1.485	37.72	1.265	32.13	.990	25.15	.881	22.38	.131	3.33	.648	16.46	.390	9.91	1.120	28.45
37S	1.485	37.72	1.265	32.13	1.001	25.43	.881	22.38	.142	3.61	.629	15.98	.377	9.58	N/A	N/A



Well-Master™ 260 High Temperature Micro-D GHTM Right Angle Printed Circuit Board Headers

GHTM RIGHT ANGLE PCB DIMENSIONS: SOCKET (RECEPTACLE) CONNECTOR



J

Layout	A Max.		B		C Max.		D		E Max.		F Max.		H Max.		G	
	In.	mm.	In. ± .003	mm. ± 0.08	In.	mm.	In.	mm.	In.	mm.	In.	mm.	In.	mm.	In.	mm.
9P	.785	19.94	.565	14.35	.290	7.37	.181	4.60	.131	3.33	.648	16.46	.390	9.91	.420	10.67
9S	.785	19.94	.565	14.35	.301	7.65	.181	4.60	.142	3.61	.629	15.98	.377	9.58	N/A	N/A
15P	.935	23.75	.715	18.16	.440	11.18	.331	8.41	.131	3.33	.648	16.46	.390	9.91	.570	14.48
15S	.935	23.75	.715	18.16	.451	11.46	.331	8.41	.142	3.61	.629	15.98	.377	9.58	N/A	N/A
21P	1.085	27.43	.865	21.97	.590	14.99	.481	12.22	.131	3.33	.648	16.46	.390	9.91	.720	18.29
21S	1.085	27.43	.865	21.97	.601	15.27	.481	12.22	.142	3.61	.629	15.98	.377	9.58	N/A	N/A
25P	1.185	30.01	.965	24.51	.690	17.53	.581	14.76	.131	3.33	.648	16.46	.390	9.91	.820	20.83
25S	1.185	30.01	.965	24.51	.701	17.81	.581	14.76	.142	3.61	.629	15.98	.377	9.58	N/A	N/A
31P	1.335	33.91	1.115	28.32	.840	21.34	.731	18.57	.131	3.33	.648	16.46	.390	9.91	.970	24.64
31S	1.335	33.91	1.115	28.32	.851	21.62	.731	18.57	.142	3.61	.629	15.98	.377	9.58	N/A	N/A
37P	1.485	37.72	1.265	32.13	.990	25.15	.881	22.38	.131	3.33	.648	16.46	.390	9.91	1.120	28.45
37S	1.485	37.72	1.265	32.13	1.001	25.43	.881	22.38	.142	3.61	.629	15.98	.377	9.58	N/A	N/A

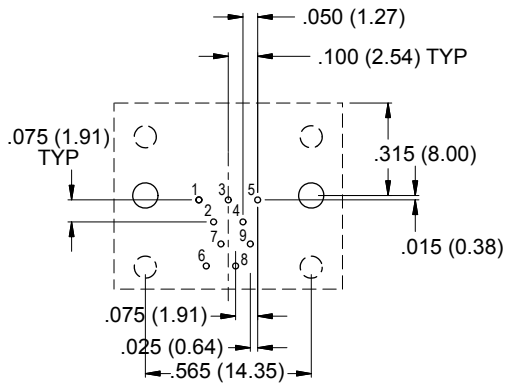
Well-Master™ 260 High Temperature Micro-D GHTM Right Angle Printed Circuit Board Headers



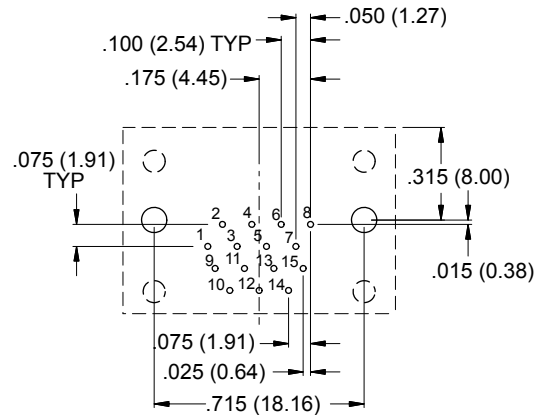
Micro-D™
Well-Master™
260

GHTM RIGHT ANGLE PC BOARD LAYOUTS: PIN (PLUG) CONNECTOR

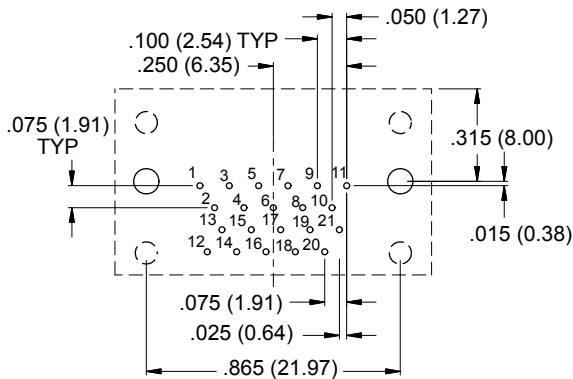
Patterns shown are for component mounting side of PCB. Terminals are .022 (0.56) max. diameter, mounting holes are .093 (2.36) diameter. Segmented lines represent connector body envelope and integral standoff locations.



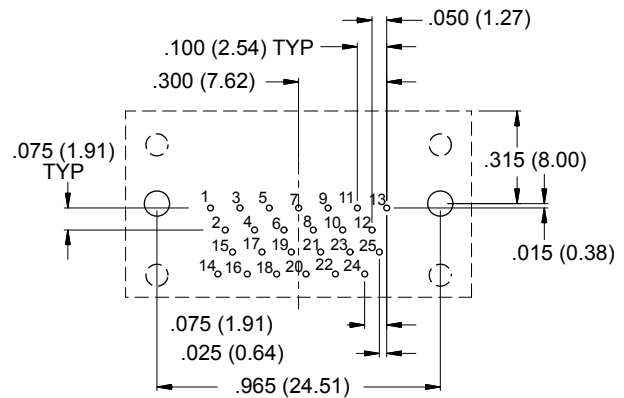
9 PIN



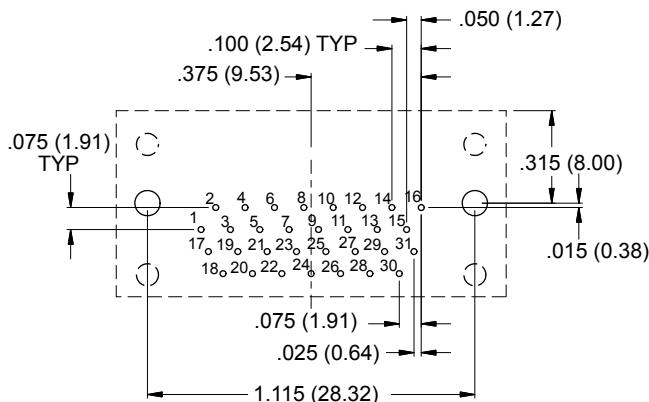
15 PIN



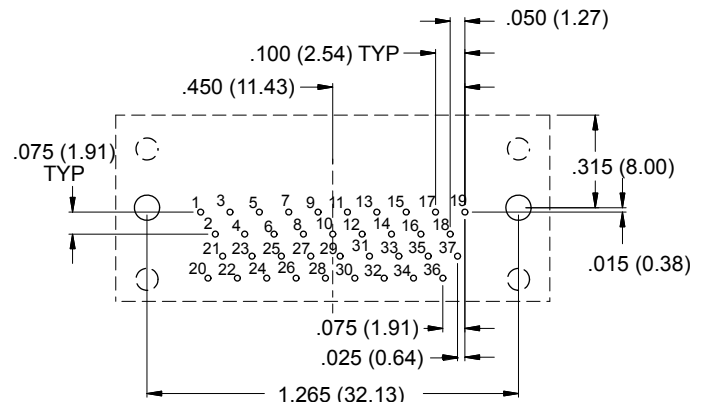
21 PIN



25 PIN



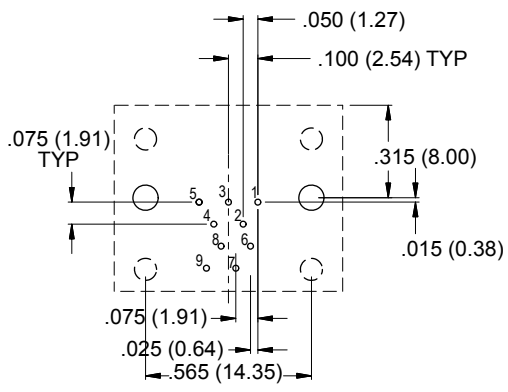
31 PIN



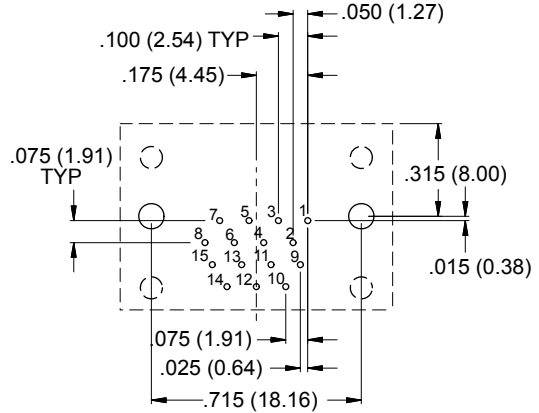
37 PIN

GHTM RIGHT ANGLE PC BOARD LAYOUTS: SOCKET (RECEPTACLE) CONNECTOR

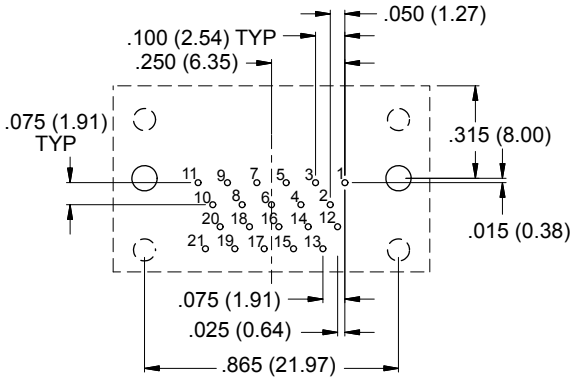
Patterns shown are for component mounting side of PCB. Terminals are .022 (0.56) max. diameter, mounting holes are .093 (2.36) diameter. Segmented lines represent connector body envelope and integral standoff locations.



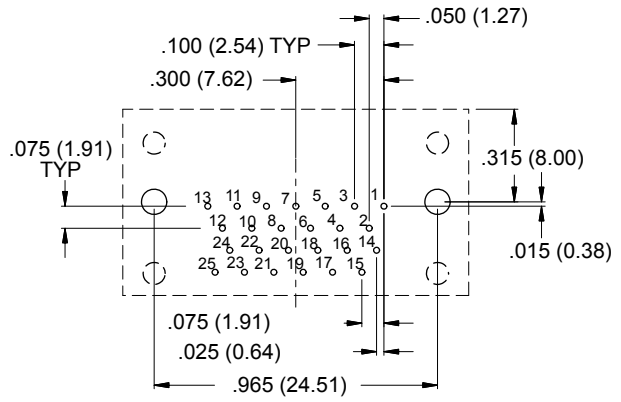
9 SOCKET



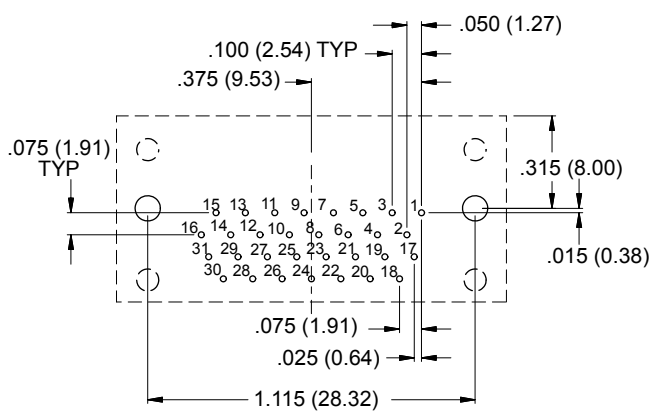
15 SOCKET



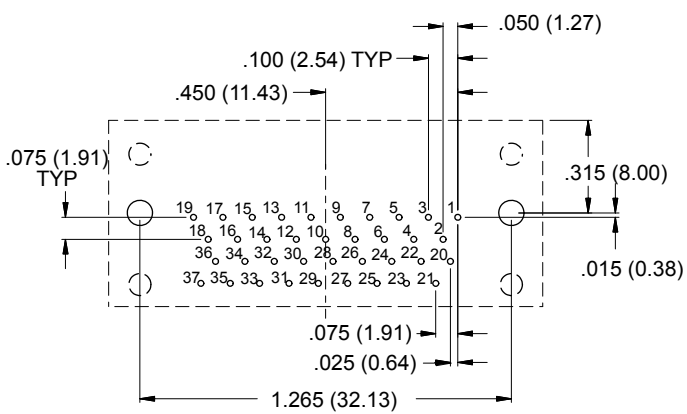
21 SOCKET



25 SOCKET



31 SOCKET



37 SOCKET

